

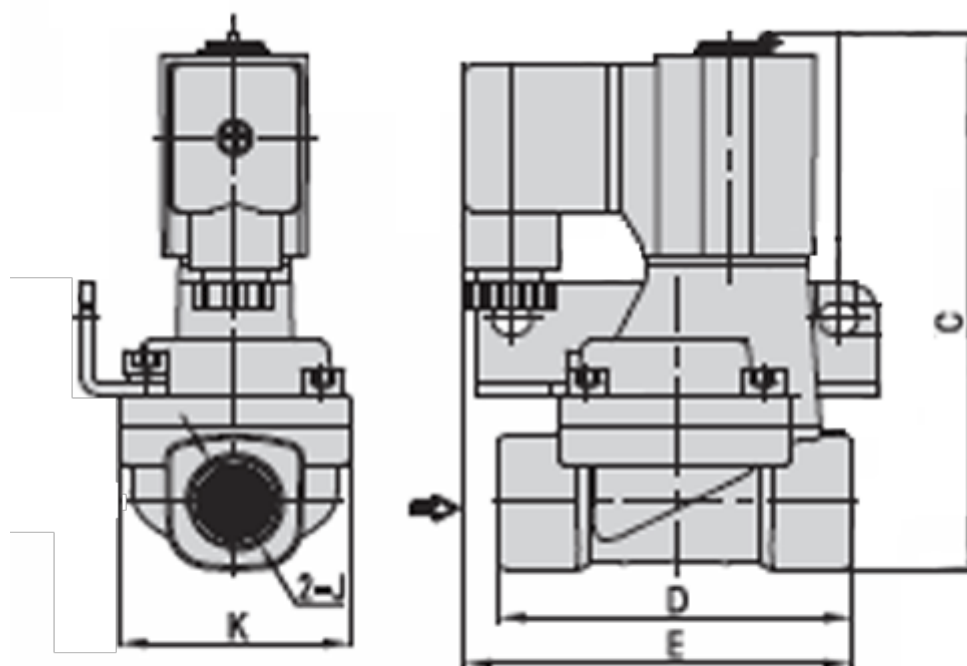
Data Sheet



Article number: 582S25025AG

Description: Fluid control valve - 2/2 NC, 2S25025AG - 230VAC
port 1" - orifice 25 internally piloted, stainless steel

Measures



C = 124.0

D = 92

E = 81.0

J = G 1"

K = 59